



Item #: _____

Model: M43R, M43S, M43T

Product Name: Master Series Heavy Duty
Range w/6 Open Star Burners

GARLAND® GAS

Master Series Range

M43R, M43S, M43T



Model M43R

Specification:

Heavy-duty gas range with oven, Model M43R. Six (6) 24,000 BTU, (7 kW), Starfire burners. Heavy-duty cast iron top grates/ring grates. 34" (864mm) wide x 38" (965mm) deep, including 7-1/2" (191mm) deep stainless steel front rail. Porcelain enamel oven interior measuring 26-1/4" (667mm) wide x 13-1/2" (343mm) high x 29" (737mm) deep. 40,000 BTU, (11.72 kW), cast iron oven burner. Stainless steel front with black powder coat epoxy sides. Natural or propane gas. CSA, C/US certified and NSF listed. MST prefix-models carry CE mark for Europe. (Also available with storage base with doors, Model M43S, and modular top, Model M43T).

Standard Features:

- Stainless steel front, black powder coat epoxy sides
- 6" (152mm) chrome steel adjustable legs
- 7-1/2" (191mm) stainless steel front rail
- Six (6) 24,000 BTU, (7 kW) natural gas, 20,000 BTU (5.86kW) propane gas Starfire burners
- Removable ring grate bowl over each burner
- Cast iron top grates
- One-piece Stainless Steel drip tray
- Piezo spark ignition for oven
- Fully porcelainized oven interior
- 40,000 BTU, (11.72 kW) natural gas, 35,000 BTU (10.75kW) propane gas cast iron oven burner
- Storage base interior of aluminized steel
- 1 year limited parts & labor warranty (USA & Canada Only)

Optional Features:

- Stainless steel left, right or both sides
- Stainless steel main back
- Stainless steel common front rail up to 68" (1728mm) wide (two or more units in a battery)
- Stainless steel oven interior
- Convection oven base, add C to Model No., e.g. M43RC
- Additional oven rack
- Rear gas connection; 3/4", 1", or 1-1/4" NPT
- End caps and cover, (no charge)-must specify
- 4 swivel casters w/front brakes
- 4 Polyurethane non-marking swivel casters w/front brakes
- 6" (152mm) stainless steel adjustable legs
- 4" (102mm) chrome steel adjustable legs
- Storage base shelf of aluminized or stainless steel
- Single deck stainless steel tubular high shelf
- Double deck stainless steel tubular high shelf
- 10" (254mm) high stainless steel backguard
- 17" (432mm) high stainless steel backguard
- 33" (838mm) high stainless steel backguard
- Stainless steel vertical flue riser, 13" (330mm) W x 33" (839mm) H
- MST model prefix - Sentry total flame failure protection on all burners, e.g. MST43R
- E-model suffix-electric spark ignition on all pilots, for MS and MST models only, e.g. MST43RE
- 230 volt, 50 cycle components, RC motor and/or electric ignition (export)
- Celsius dial for oven thermostat (no charge)

NOTE: Ranges supplied with casters must be installed with an approved restraining device.



Garland Commercial Industries, Inc.
185 East South Street
Freeland, Pennsylvania 18224
Phone: (570) 636-1000
Fax: (570) 636-3903

Garland Commercial Ranges Ltd
1177 Kamato Road, Mississauga, Ontario
L4W 1X4 CANADA
Phone: 905-624-0260
Fax: 905-624-5669

Enodis UK LTD
Swallowfield Way, Hayes, Middlesex
UB3 1DQ ENGLAND
Telephone: 081-561-0433
Fax: 081-848-0041

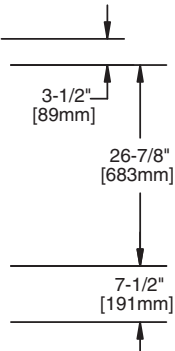
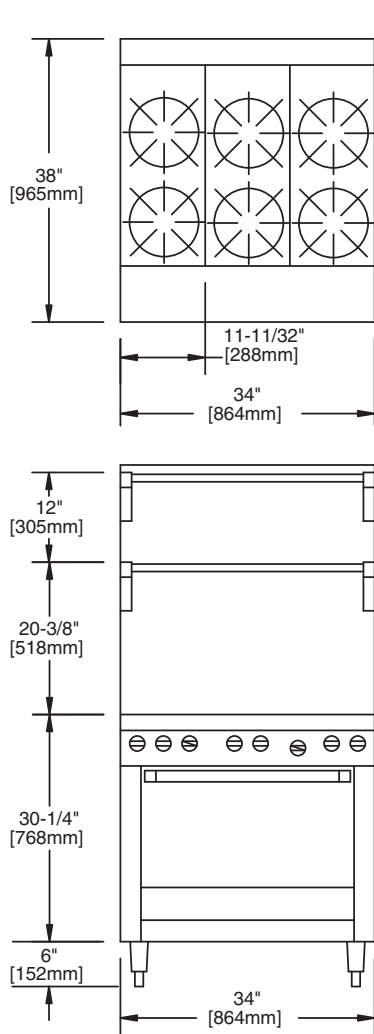
Product	Width: In(mm)	Depth: In(mm)	Height: In(mm) (w/ NSF Legs)	Height: In(mm) (w/o NSF Legs)	Oven/Storage Base Interior: in(mm)		
					Width	Depth	Height
M43R	34(864)	38(965)	36-1/4(921)	30-1/4(768)	26-1/4(667)	29(737)**	13-1/2(343)
M43S	34(864)	38(965)	36-1/4(921)	30-1/4(768)	26(665)	30-1/2(773)	20-1/2(519)
M43T	34(864)	38(965)	36-3/8(924) w/stand	9-1/2(241) w/o stand*	N/A	N/A	N/A

*Modular Top has 1 1/2" seating flanges **RC oven is 25"(635mm) deep

INPUT-BTU/hr (Natural Gas)	M43R	M43RC	M43S & M43T
Top Section***	144,000 (42.19kW)	144,000 (42.19kW)	144,000 (42.19kW)
Oven ***	40,000 (11.72kW)	37,000 (10.84kW)	N/A
Total	184,000 (53.91kW)	181,000 (53.03kW)	144,000 (42.19kW)

RC=Range w/Convection Oven R=Range w/Oven S=Range w/Storage Base T=Modular Top
 *** Top Sections rated 120,000 BTU (35.16kW) and Oven Rated 35,000 BTU (10.25kW) for Propane gas

INSTALLATION NOTES			Shipping Wt: (Lb/Kg)
Combustible Wall Clearances¹	Entry Clearances	Operating Pressure	M43R 440/200
Sides: 11" (279mm) Back: 6" (152mm)	Crated: 39-1/4" (997mm) Uncrated: 34-1/4" (870mm)	Natural: 6 WC (15mbar) Propane: 10 WC (25mbar)	M43S 340/155 M43T 250/114



¹NOTE: Installation clearance reductions are applicable only where local codes permit.

Data applies only to North America

Gas input ratings shown here are for installations up to 2,000 ft. (610m) above sea level. Specify altitudes over 2,000 ft.

Electrical characteristics each RC oven: 1/3 HP motor, 120 VAC, single phase, 3.4 amps, 6 ft. (1.8m) power supply cord provided. 230 VAC export is direct connect, single phase, 50 Hz.

Please specify gas type when ordering.

